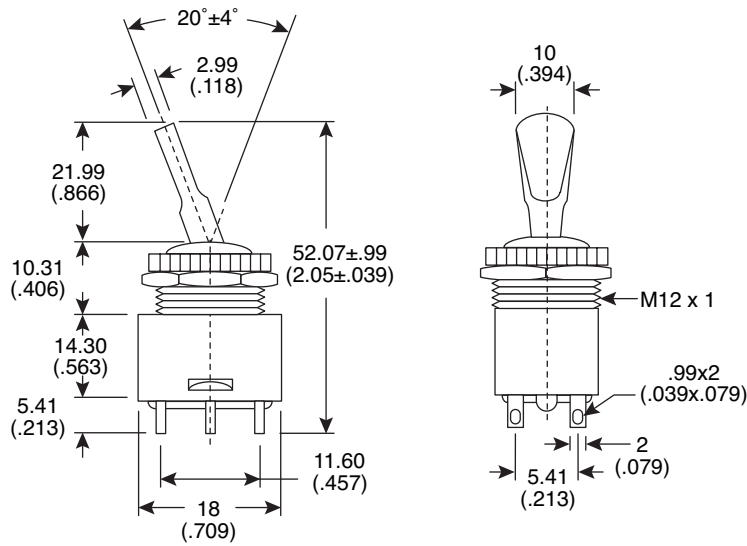
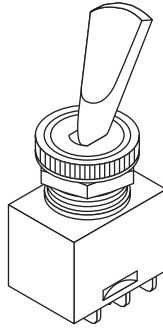


Dimensions: mm (In.)



Electrical Specifications:

- Rating: 6A/125VAC
- Contact resistance: 20mΩ max.
- Insulation resistance: 500VDC .100MΩ min.
- Dielectric Strength: 1000VAC for 1 minute

Mouser Stock No.	Type	Circuit
10TL020	2PSPST	ON-OFF
10TL021	3PSPDT	ON-ON
10TL022	6PDPDT	ON-ON

Mechanical Specifications:

- Mounting hole: ø.480"

Toggle Switches
10TL020, 10TL021, 10TL022

